



Type S1LGS8-00ZP-...

Type S1LGK4-00ZP-...

The single-axis controller S 1 is a rugged switching device according IEC/EN 60947-5-1 for remote control and electro-hydraulic applications. The S 1 is resistant to oil, maritime climate, ozone and UV radiation.

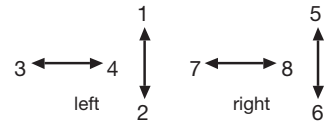
**Contact complement 0,5 A 110 V AC 15 or 1,5 A 24 V DC 13**  
**I min > 0,2 mA 2 V DC 12 Gold plated for max. load of 0,12 Watt (standard)**

Mechanical life 6 million (operating cycles)  
Permissible ambient temperature Operation -40° C to +60° C  
Storage -50° C to +80° C

Climate resistance  
Damp heat constant IEC 60068-2-78  
Damp heat cyclic IEC 60068-2-30  
Degree of protection front IP 65 IEC/EN 60529  
Technical data see catalog 5/100  
Description data see catalog 5/020

Spindle block with schematic representation of the master controller installation and deflection directions.

Version shown for left-hand side installation (right-hand side installation is mirror image).

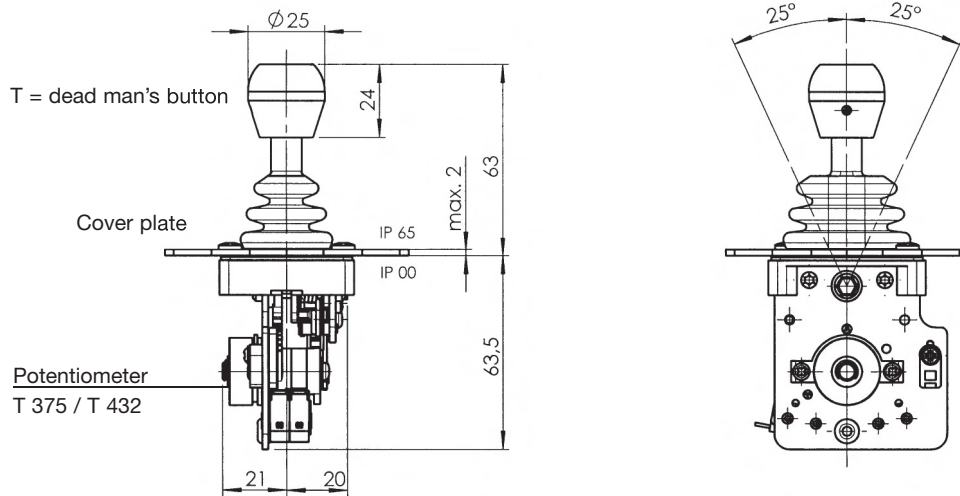


Deflection directions designated to DIN 15025

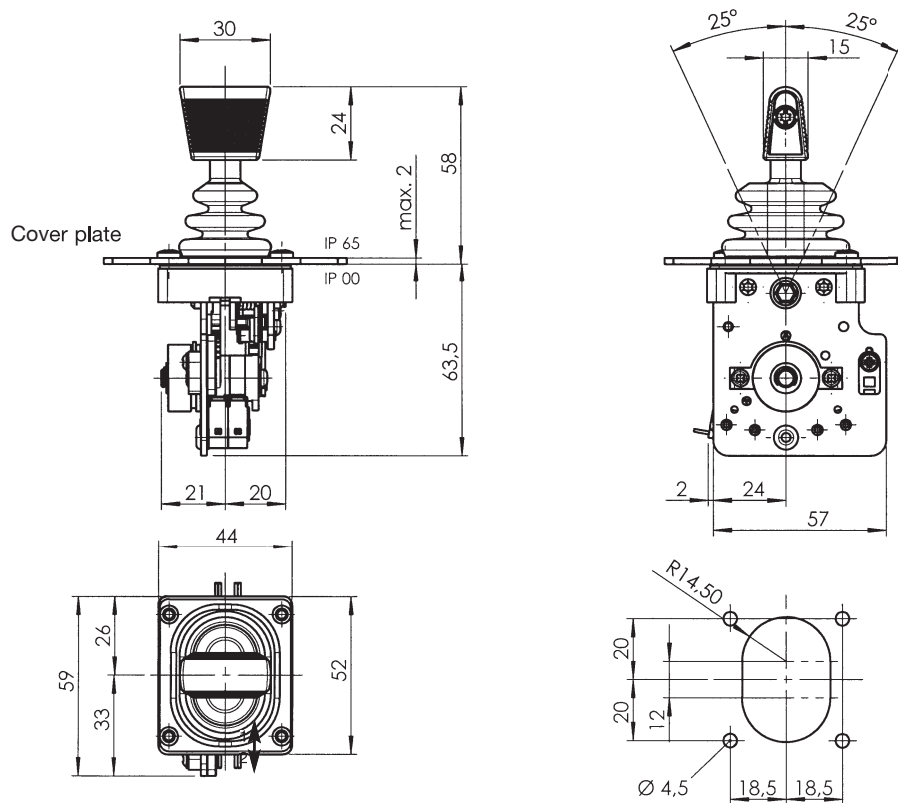
Pos.	S 1	Type expansion	Weight gramm	Type	Price EURO
1			150	S 1	
2					
3					
4					
5					
7.1	Single-axis controller left (dir. 1-2, 3-4)			L	
7.2	Single-axis controller right (dir. 5-6, 7-8)			R	
10					
20	Control-handle with knob solid GK 4				
21	Control-handle with latch for mechanical zero interlock by lifting		50	M	
22	Control-handle with dead man's button 1 NO		80	T	
23					
24	Control-handle with push button 1 NO			D	
25					
26	Control-handle with knob GS 8			GS 8	
30	Masterswitch (contact) switching sequence -0-	A...	No. of contacts 2 4	01 02	
	Switching program according contact-arrangement MS see catalog 5/001 or to your contact-arrangement				
36	switching sequence 2-0-2				
38	Spring return in 0-position (for each direction)			Z	
39	Friction brake adjustable (for each direction)			R	
44	Potentiometer e.t.c. each direction with mounted Conductive-plastic potentiometer T 375, with centre tap linear life 10 <sup>7</sup> switching cycles resistance 2 x 5 kOhm 0,5 Watt wiper current max. 1 mA	...P37 □	20	P	
45	Conductive-plastic potentiometer T 430 with centre tap linear life 10 <sup>7</sup> switching cycles resistance 2 x 5 kOhm 2 conductive-plastic-contact way arrangement MSP 21 (catalog 5/001) 0,5 Watt wiper current max. 1 mA	...P27 □	25	P	
52	Housing see catalog 1/350				
60	Indicating labels not engraved with 2 arrows				
61	Engraving, each 10 characters				
70	Command and indicating devices see catalog 1/360				



**S 1 with knob solid GK 4**



**S 1 with knob GS 8**



Hole pattern

