

Type S22LT-2ZP-...

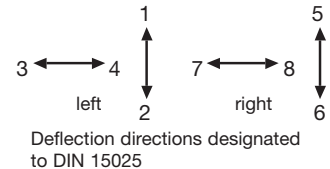
The single-axis controller S 22 is a rugged switching device according IEC/EN 60947-5-1 for electro-hydraulic applications. The modular design enables the switching device to be used universally. The S 21 is resistant to oil, maritime climate, ozone and UV radiation.

Contact complement 2 A 250 V AC 15 or 3 A 24 V DC 13

Mechanical life S 22 6 million (operating cycles)
 Mechanical life SS 22 10 million (operating cycles)
 Permissible ambient temperature Operation -40° C to +60° C
 Storage -50° C to +80° C

Climate resistance IEC 60068-2-78
 Damp heat constant IEC 60068-2-30
 Damp heat cyclic IP 54 IEC/EN 60529
 Degree of protection front
 Technical data see catalog 5/100
 Description data see catalog 5/020

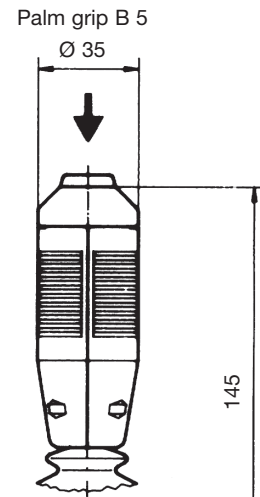
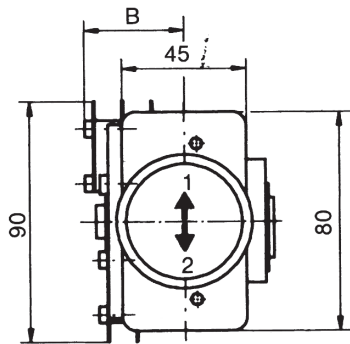
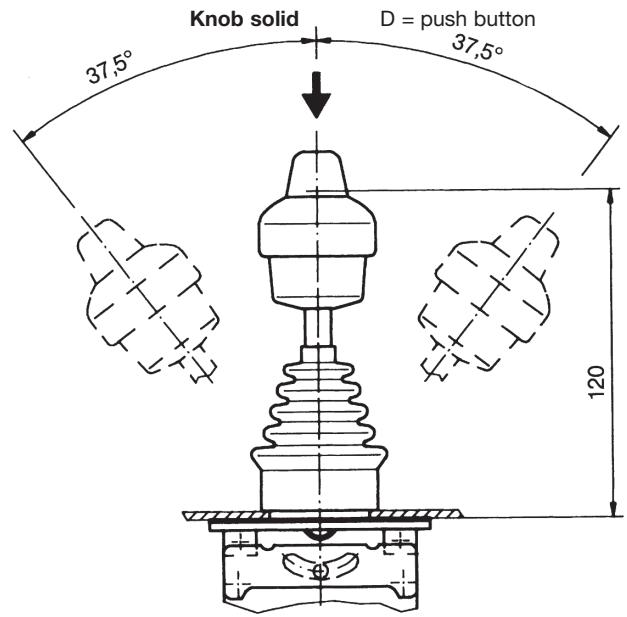
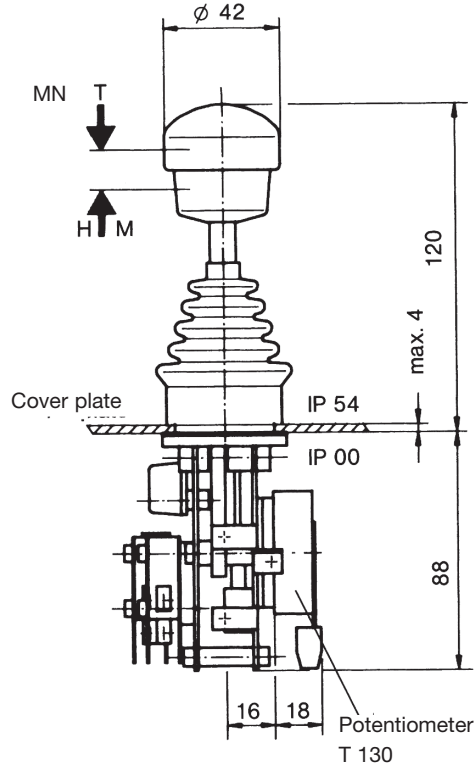
Spindle block with schematic representation of the master controller installation and deflection directions. Version shown for left-hand side installation (right-hand side installation is mirror image).



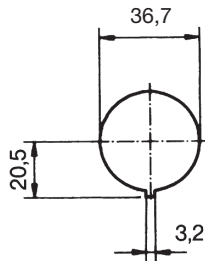
| Pos. | S 22 | Type expansion | | Weight gramm | Type | Price EURO |
|------|---|------------------|-----------------|--------------|-------|------------|
| 1 | | | | 600 | S 22 | |
| 2 | | | | 650 | SS 22 | |
| 3 | | | | | | |
| 4 | | | | | | |
| 5 | | | | | | |
| 7.1 | Single-axis controller left (dir. 1-2, 3-4) | | | | L | |
| 7.2 | Single-axis controller right (dir. 5-6, 7-8) | | | | R | |
| 20 | Control-handle with knob solid | | | | | |
| 21 | Control-handle with latch for mechanical zero interlock | | | | | |
| 21.1 | by lifting | | | 50 | M | |
| 21.4 | by pushing down | | | 50 | MN | |
| 21.5 | Mechanical zero interlock with command devices see catalog 1/274 | | | | | |
| 22 | Control-handle with dead man's button 1 NO | | | 50 | T | |
| 23 | Control-handle with signal button 1 NO | | | 50 | H | |
| 24 | Control-handle with push button 1 NO | | | 60 | D | |
| 25 | Control-handle with flat push button 1 NO | | | 60 | DV | |
| 26 | Control-handle with palm grip B 1 | | | 40 | B 5 | |
| 27 | Control-handle with palm grip B 1 with push button top 1 NO | | | 60 | B 5T | |
| 28 | Control-handle long or short | | | | | |
| 28.2 | -20 mm | | | | S5 | |
| 28.3 | +20 mm | | | | S8 | |
| 29 | More knobs, grips and T-grips with and without signal devices see catalog 1/270ff | | | | | |
| 30 | Masterswitch (contact) switching sequence -0- | | No. of contacts | 1 | 1 | |
| 31 | | | | 2 | 2 | |
| 32 | | | | 3 | 3 | |
| 33 | Switching program according contact-arrangement MS... see catalog 5/001 | A... | | 4 | 4 | |
| 34 | or to your contact-arrangement | | | | | |
| 35 | | | | | | |
| 36 | Switching sequence 2-0-2 | | | | | |
| 38 | Spring return in 0-position (for each direction) | | | 20 | Z | |
| 39 | Friction brake adjustable (for each direction) | | | 20 | R | |
| 40 | Potentiometer e.t.c. each direction with mounted Wire-wound potentiometer T 130, with centre tap, 1,5 Watt wiper current max. 10 mA resistance 2 x 0,5k \cong P021, 2 x 1k \cong P022, 2 x 2k \cong P023, 2 x 5k \cong P024, 2 x 10k \cong P025 | ...P02 \square | | 70 | P | |
| 41 | Prepared for mounting potentiometer shaft 6 mm adjusting-angle 2 x 150° | | | | (P) | |
| 42 | Prepared for mounting potentiometer e.t.c. adjusting-angle variable. | | | | (P) | |
| 43 | more Potentiometer e.t.c. see catalog 1/240ff | C..., P... | | | | |
| 50 | Steel sheet housing B 200 masterswitch Gr. 4 | | | 1300 | B | |
| 51 | | | | | | |
| 52 | More housing see catalog 1/350 | | | | | |
| 60 | Indicating labels not engraved with 2 arrows | | | | | |
| 61 | Engraving, each 10 characters | | | | | |
| 70 | Command and indicating devices see catalog 1/360 | | | | | |



T = dead man's button
H = signal button
M = latch for mechanical zero interlock



B 5T = dead man's button



Hole pattern

| Type | No. of contacts | Dimension B |
|------|-----------------|-------------|
| 1 | 1 | 25 |
| 2 | 2 | 31 |
| 3 | 3 | 36 |
| 4 | 4 | 42 |

