

Type V3LT-02Z+02ZP-...

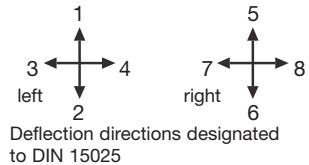
The multi-axis controller V 3 is a rugged switching device according IEC/EN 60947-5-1 for hoisting applications. The modular design enables the switching device to be used universally. The V 3 is resistant to oil, maritime climate, ozone and UV radiation.

**Contact complement 4 A 350 V AC 15 or 1 A 24 V DC 13 with positive opening operation**

Mechanical life 6 million (operating cycles)  
Permissible ambient temperature Operation -40° C to +60° C  
Storage -50° C to +80° C

Climate resistance  
Damp heat constant IEC 60068-2-78  
Damp heat cyclic IEC 60068-2-30  
Degree of protection front IP 54 IEC/EN 60529  
Technical data see catalog 5/100  
Description data see catalog 5/020

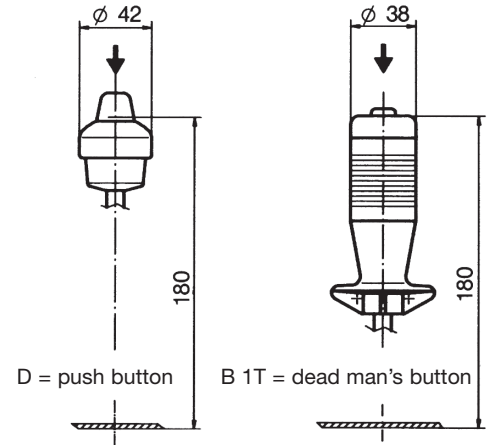
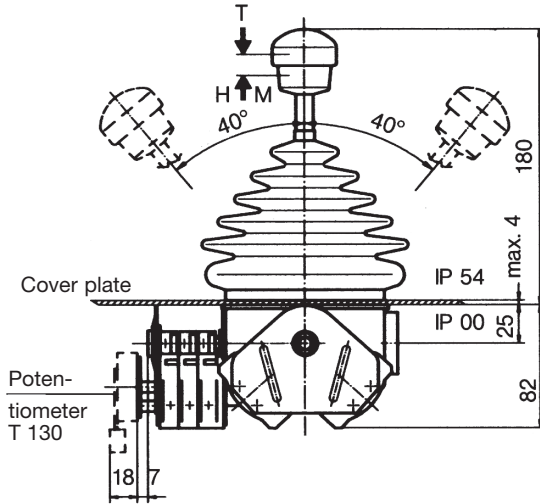
Spindle block with schematic representation of the master controller installation and deflection directions.  
Version shown for left-hand side installation (right-hand side installation is mirror image).



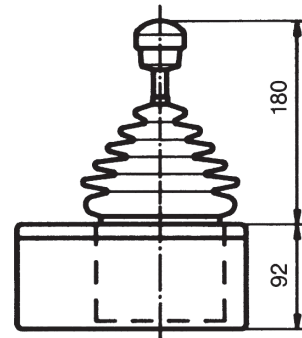
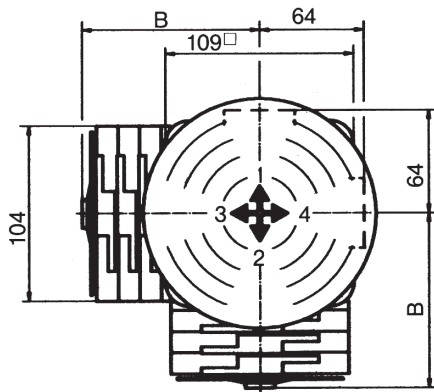
Pos.	V 31	V 3	Type expansion	Weight gramm	Type	Price EURO
1				940	V 31	
2						
3				1000	V 3	
4						
5						
7.1	Multi-axis controller left	(dir. 1-2, 3-4)			L	
7.2	Multi-axis controller right	(dir. 5-6, 7-8)			R	
10	Gate cross-shaped	(prohibits diagonal shifting)		100	P	
11	Gate special-shaped	(e.g. H-gate)		110	PX	
20	Control-handle with knob solid					
21	Control-handle with latch for mechanical zero interlock					
21.1	by lifting			50	M	
21.5	Mechanical zero interlock with command devices see catalog 1/274					
22	Control-handle with dead man's button	1 NO		100	T	
23	Control-handle with signal button	1 NO		100	H	
24	Control-handle with push button	1 NO		110	D	
25	Control-handle with flat push button	1 NO		110	DV	
26	Control-handle with palm grip B 1			40	B 1	
27	Control-handle with palm grip B 1 with push button top	1 NO		60	B 1T	
28	Control-handle long or short					
28.2		-20 mm			S5	
28.3		+20 mm			S8	
29	More knobs, grips and T-grips with and without signal devices see catalog 1/270ff					
30	Masterswitch (contact) switching sequence 4-0-4		No. of contacts	2	01	
31				4	02	
32	Direction 1-2 and 3-4 each 1 masterswitch			6	03	
33	Switching program according contact-arrangement MS... see catalog 5/001		A...	8	04	
34	or to your contact-arrangement			10	05	
35				12	06	
36	Switching sequence 5-0-5					
38	Spring return in 0-position	(for each direction)		110	Z	
39	Friction brake adjustable	(for each direction)		50	R	
40	Potentiometer e.t.c. each direction with mounted Wire-wound potentiometer T 130, with centre tap, 1,5 Watt wiper current max. 10 mA resistance 2 x 0,5k $\cong$ P021, 2 x 1k $\cong$ P022, 2 x 2k $\cong$ P023, 2 x 5k $\cong$ P024, 2 x 10k $\cong$ P025		...P02 $\square$	70	P	
41	Prepared for mounting potentiometer shaft 6 mm adjusting-angle 2 x 150°		P...		(P)	
42	Prepared for mounting potentiometer e.t.c. adjusting-angle variable.				(P)	
43	more Potentiometer e.t.c. see catalog 1/240ff					
50	Steel sheet housing B 200 masterswitch max. size 04			1300	B	
51	Steel sheet housing B 230 masterswitch max. size 06			1400	B	
52	More housing see catalog 1/350					
60	Indicating labels not engraved with 2 or 4 arrows					
61	Engraving, each 10 characters					
70	Command and indicating devices see catalog 1/360					



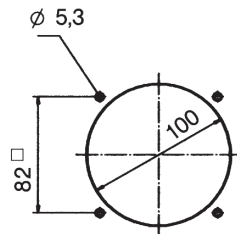
T = dead man's button  
H = signal button  
M = latch for mechanical zero interlock



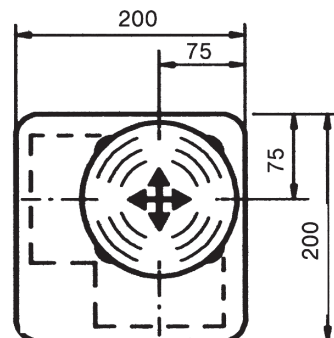
Type	No. of contacts	Dimension B
01	2	77
02	4	89
03	6	102
04	8	114
05	10	127
06	12	139



Steel sheet housing



Hole pattern



	V3	L	S5	P	H - 02	Z	P + 01	R	P	-B-	-X-	A050	P024	+A05	P022	
multi-axis controller																Potentiometer description dir. 3-4 (7-8) see 1/240ff
installation side L o. R																Arrangement dir. 3-4 (7-8) see 5/001
special control handle																Potentiometer description dir. 1-2 (5-6) see 1/240ff
gate																Arrangement dir. 1-2 (5-6) see 5/001
handle																special please describe housing
contact dir. 1-2 (5-6)																Potentiometer dir. 3-4 (7-8)
spring return dir. 1-2 (5-6)																friction brake dir. 3-4 (7-8)
Potentiometer dir. 1-2 (5-6)																
contact dir. 3-4 (7-8)																