



Type VVC64L-8Z+8Z-...

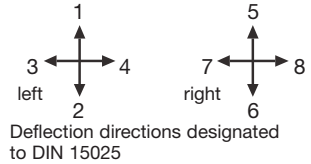
The multi-axis controller VVC 6 is a rugged switching device according IEC/EN 60947-5-1 for hoisting applications. The modular design enables the switching device to be used universally. The VVC 6 is resistant to oil, maritime climate, ozone and UV radiation.

Contact complement 8 A 250 V DC 13

Mechanical life 20 million (operating cycles)
Permissible ambient temperature Operation -40° C to +60° C
Storage -50° C to +80° C

Climate resistance
Damp heat constant IEC 60068-2-78
Damp heat cyclic IEC 60068-2-30
Degree of protection front IP 54 IEC/EN 60529
Technical data see catalog 5/100
Description data see catalog 5/020

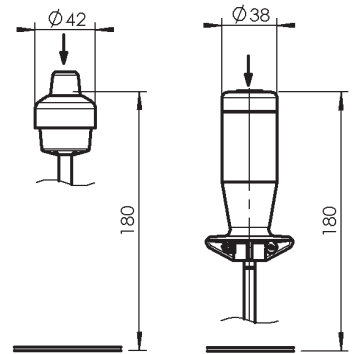
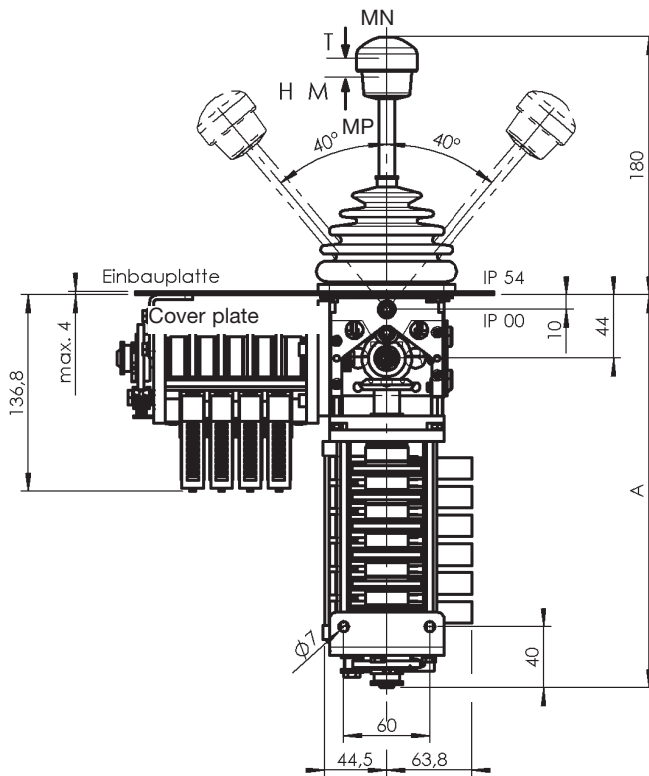
Spindle block with schematic representation of the master controller installation and deflection directions. Version shown for left-hand side installation (right-hand side installation is mirror image).



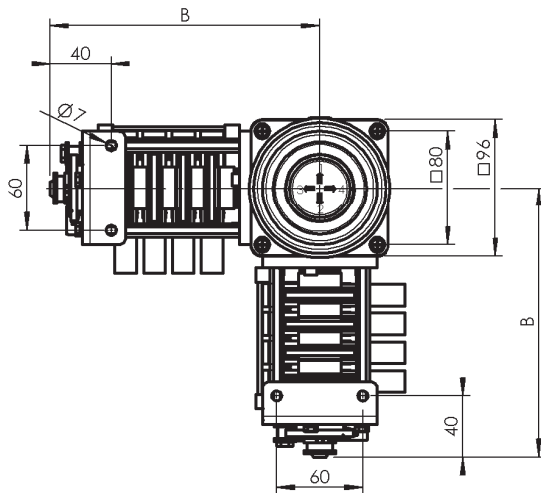
Pos.	VVC 61	VVC 61.1	VVC 62	VVC 64	VVC 64.1	Type expansion		Weight gramm	Type	Price EURO
1								960	VVC 61	
2								980	WC 61.1	
3								980	VVC 62	
4								1010	VVC 64	
5								960	WC 64.1	
7.1	Multi-axis controller left		(dir. 1-2, 3-4)					60	L	
7.2	Multi-axis controller right		(dir. 5-6, 7-8)					60	R	
10	Gate cross-shaped		(prohibits diagonal shifting)					110	P	
11	Gate special-shaped		(e.g. H-gate)					30	PX	
20	Control-handle with knob solid									
21	Control-handle with latch for mechanical zero interlock									
21.1	by lifting							50	M	
21.2	by lifting, interlocking the gate or the joint bracket							60	MP	
21.3	by lifting, interlocking in the joint bracket							60	MP	
21.4	by pushing down							50	MN	
21.5	Mechanical zero interlock with command devices see catalog 1/274									
22	Control-handle with dead man's button		1 NO				Pos. 22-25, 27 not possible for VVC 64...	200	T	
23	Control-handle with signal button		1 NO					200	H	
24	Control-handle with push button		1 NO					210	D	
25	Control-handle with flat push button		1 NO					210	DV	
26	Control-handle with palm grip B 1							40	B 1	
27	Control-handle with palm grip B 1 with push button top		1 NO					160	B 1T	
28	Control-handle long or short									
28.1			-40 mm						S3	
28.2			-20 mm						S5	
28.3			+20 mm						S8	
29	More knobs, grips and T-grips with and without signal devices see catalog 1/270ff									
30	Masterswitch (contact) switching sequence 4-0-4						No. of contacts	2	490	2
31								4	750	4
32	Direction 1-2 and 3-4 each 1 masterswitch					A...		6	1010	6
33	Switching program according contact-arrangement MS... see catalog 5/001							8	1370	8
34	or to your contact-arrangement							10	1630	10
35								12	1990	12
36	Switching sequence 5-0-5 or 6-0-6									
38	Spring return in 0-position		(for each direction)						Z	
39	Friction brake adjustable		(for each direction)						R	
40										
50										
60	Indicating labels not engraved with 2 or 4 arrows									
61	Engraving, each 10 characters									



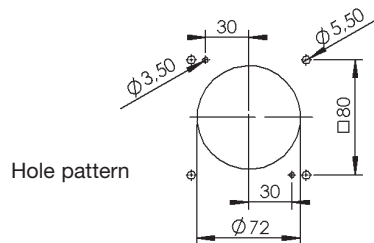
T = dead man's button
H = signal button
M = latch for mechanical zero interlock



D = push button B 1T = dead man's button



Type	No. of contacts	Dimension A	Dimension B
1	1	169	125
2	2	189	145
3	3	209	165
4	4	229	185
5	5	249	205
6	6	269	225
7	7	289	245
8	8	309	265
9	9	329	285
10	10	349	305
11	11	369	325
12	12	389	345



Hole pattern

