

Type P7-1ZP-...

The pedal-controller P 7 and PP 7 is a rugged switching devices to IEC/EN 60947-5-1, for footing applications.

Contact complement 2 A 250 V AC 15 or 3 A 24 V DC 13

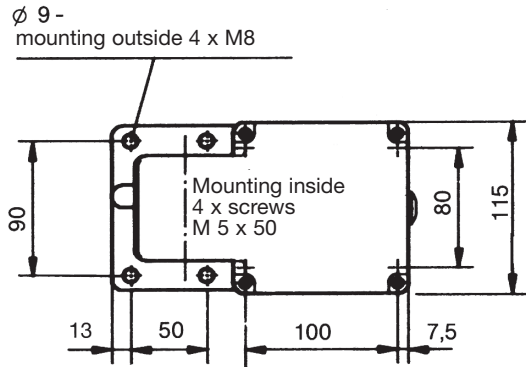
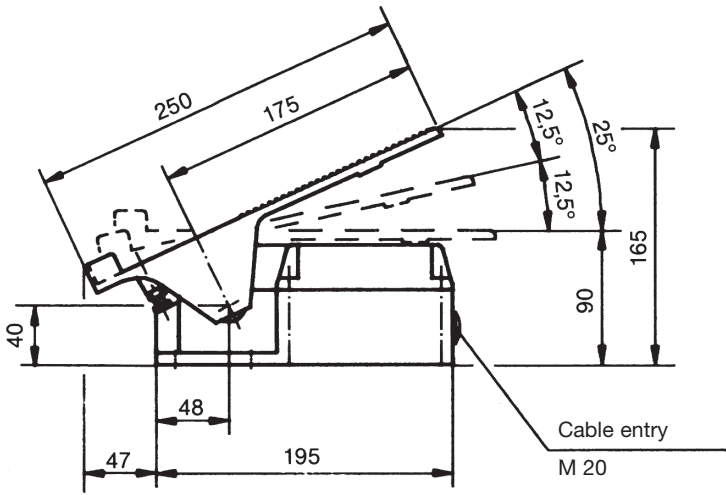
Surface treatment
Primer, top coat: 2 coats of epoxy-resin paint, standard colour
RAL 7032 pebble-grey textured varnish

Mechanical life
P 7 6 million operating cycles
PP 7 10 million operating cycles

Permissible ambient temperature
Operation -40° C to +60° C
Storage -50° C to +80° C

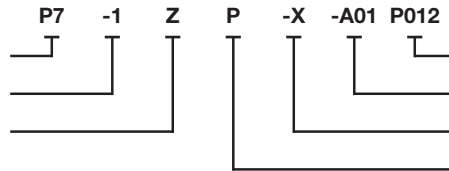
Climate resistance
Damp heat constant IEC 60068-2-78
Damp heat cyclic IEC 60068-2-30
Degree of protection P 7 IP 54 IEC/EN 60529
PP 7 IP 65 IEC/EN 60529

View at the top without rocker



Example for type-sign

Pedal-controller
No. of contacts
Spring return



Potentiometer description
Arrangement
special please describe
Potentiometer e.t.c.

| Pos. | | Type-expansion | Weight gramm | Type | Price EURO |
|------|--|----------------|--------------|------|------------|
| 1 | Pedal-controller standard version | | 1700 | P 7 | |
| 2 | Pedal-controller heavy-duty version | | 1800 | PP 7 | |
| 4 | Switching sequence max. 0-4 or max. 2-0-2 | | 150 | | |
| 8 | No. of contacts (microswitch) max. 6 pcs. | | 30 | 1 | |
| 9 | Switching program according contact-arrangement MS look catalog 5/001 | A... | 40 | 2 | |
| 10 | or to your contact-arrangement | | 50 | 3 | |
| 11 | Spring return in 0-position | | 100 | Z | |
| 12 | Friction brake | | 50 | R | |
| 15 | Potentiometer e.t.c. with mounted Wire-wound potentiometer T 129 linear 1,5 Watt wiper current max. 10 mA resistance 1k ≙ P012, 2k ≙ P013, 4k ≙ P014, 10k ≙ P015 | P01 □ | 70 | P | |
| 16 | Prepared for mounting potentiometer shaft 6 mm adjusting-angel 300° | | | (P) | |
| 17 | More potentiometer e.t.c. look catalog 1/240ff | P... | | | |