



Type KST19KFS102-...

The swivelling crane control unit KST 19 is designed in accordance with ergonomical and medical guidelines and provides a high grade of comfort.

The standard design includes following:

Equipment boxes: Sheet steel with armrest. The top panel of the equipment box (screwed together) includes the devices. Cabling is run through a duct into the cross-member. (Terminal block).

Seat: Comfortable spring mounted seat KFS 10, with a pneumatic vibration absorption system by compressor 24 V DC, weight adjustment and airpermeable artificial leather or textil material, with headrest and seat cushion deep prolongation.

Manual adjustments: (see catalog 2/111 Pos.)

- 1 Crane control unit swivelling
- 2 Horizontal adjustment seat with equipment boxes
- 3 Vertical weight adjustment seat incl. equipment boxes
- 5 Backrest adjustable
- 6 Horizontal adjustment of seat
- 7 Left / right equipment box is tiltable
- 8 Horizontal adjustment equipment box
- 9 Height adjustment equipment boxes to seat
- 10 Equipment boxes adjustment
- 11 Inclination adjustment of equipment boxes
- 12 Monitor mounting support rotatable
- 13 Monitor mounting support vertically adjustable

Cross-member: Steel section, can be opened (system tray) for easy accessibility of the terminals.

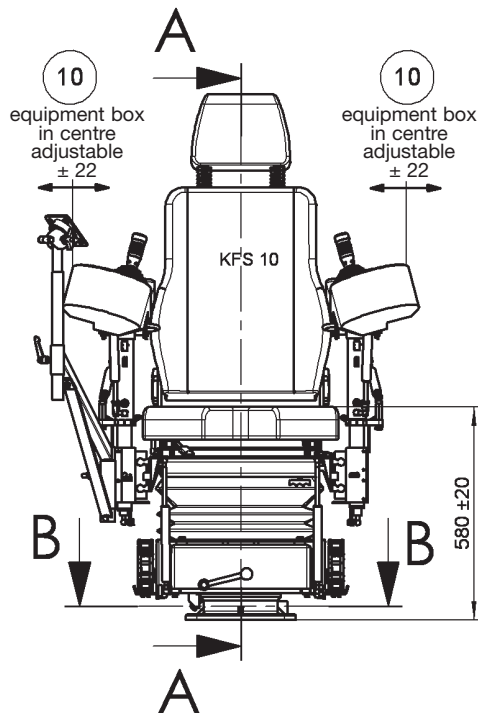
Swivel base: Zero-end-float spring-loaded bearing. Rotational movement 180° right, 90° left, stopped by friction brake.

Surface treatment: Anti-corrosion primer, top coat: 2 coats of epoxy-resin paint, standard colour RAL 7032 pebble-grey, textured varnish
All non-painted metal parts are electrogalvanized and chromed.

Description data see catalog 5/029

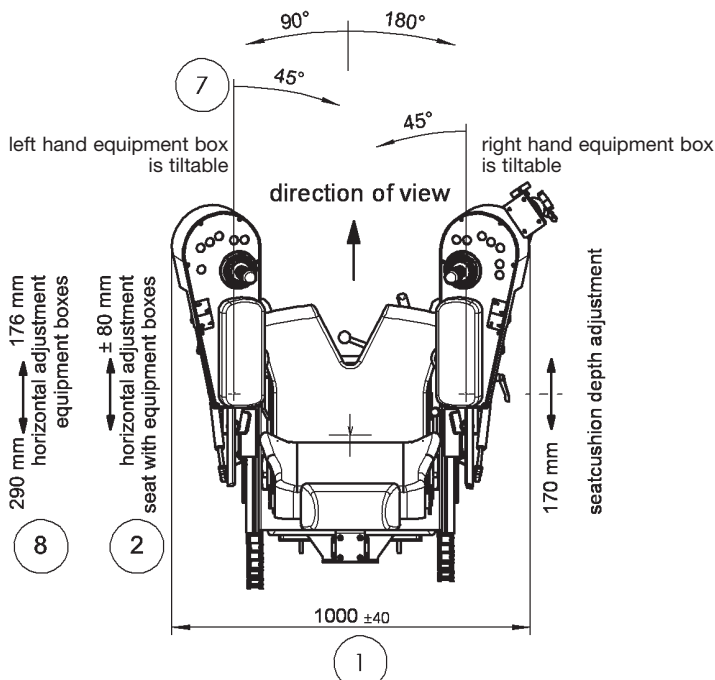
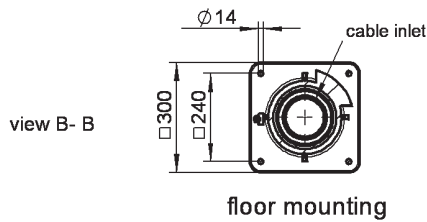
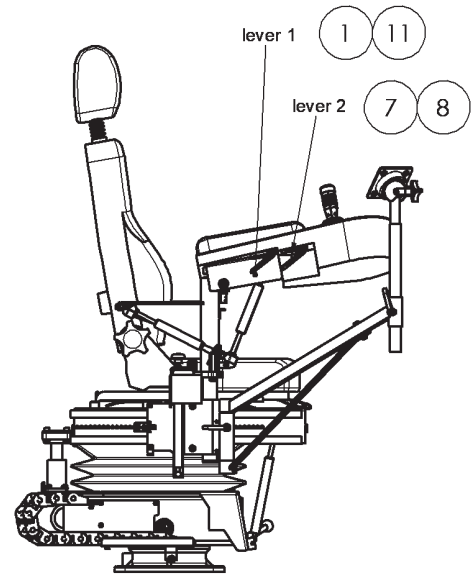
Permissible ambient temperature	Operation -40° C to +60° C
	Storage -50° C to +80° C
Climate resistance	
Damp heat constant	IEC 60068-2-78
Damp heat cyclic	IEC 60068-2-30
Degree of protection	IP 54 IEC/EN 60529

Pos.				Weight kg	Type	Price EURO
1	Crane control unit	standard design		140	KST 19	
2						
3						
6	additional variations for driver's seat KFS 10	see catalog 2/142			KFS 10	
7						
9	Monitor mounting support left or right			10		
10	Footrest (required) mounted onto swivel base adjustable ± 30 mm			8		
11						
12						
13	Plate for horizontal manual adjustment of control unit adjustable ± 250 mm			95		
14						
20	Multi-axis controller V 11, V 14, V 25, V 85	see catalog 1/110				
21						
22						
23						
24	Command and indicating devices	see catalog 1/360				
30	Terminal block 4 mm ² without wiring each terminal				KL	
31	Terminal block 4 mm ² with wiring wire 1 mm ² each terminal				KL	
32	External wiring single wire highly flexible 1,5 mm ² 5 metre long					
33	Additional or subtract price each metre					
40	Special painted					
41	Indicating labels not engraved with 2 or 4 arrows					
42	Engraving, each 10 characters					



vertical weight adjustment
seat incl. equipment boxes
(weight loaded)

3



turning circle; without monitor:

working position = 750 mm
min. = 590 mm
max. = 1100 mm

